



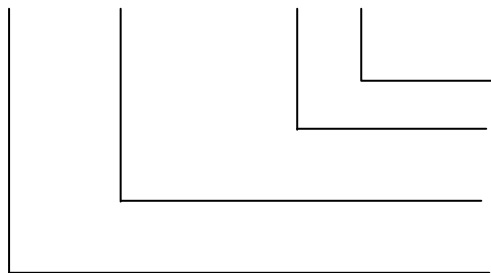
FEATURES

- High current capacity.
- Ferrite bobbin core and compact size.
- Low core loss for high frequency power application.
- Large terminal surface for good PCB bonding.



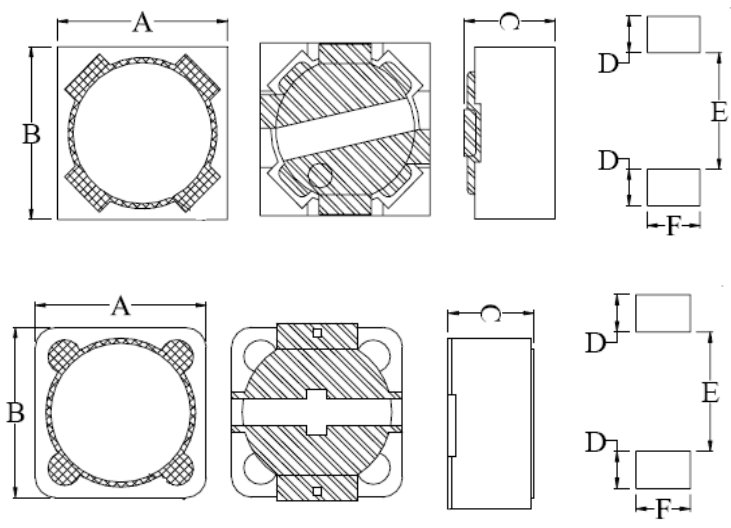
PART NUMBER SYSTEM

ETPRH 1207 - 100 □



Tolerance (K = $\pm 10\%$, M = $\pm 20\%$, N = $\pm 30\%$)
 Inductance (100 : 10uH)
 Dimension
 Series Name

SHAPES AND DIMENSIONS(mm)



TPRH0704

TPRH 1204& 1205& 1207

TYPE	A	B	C(Max)	D(Ref)	E(Ref)	F(Ref)
ETPRH0704	7.30 \pm 0.20	7.30 \pm 0.20	4.50	1.60	4.80	2.20
ETPRH1204	12.0 \pm 0.30	12.0 \pm 0.30	5.00	2.80	7.00	5.40
ETPRH1205	12.0 \pm 0.30	12.0 \pm 0.30	6.00	2.80	7.00	5.40
ETPRH1207	12.0 \pm 0.30	12.0 \pm 0.30	8.00	2.90	7.00	5.40

**Electrical Characteristics**

Part Number	Inductance (μH)	L Test Frequency	DCR (mΩ) MAX.	IDC (A) MAX.
0704 系列				
ETPRH0704-100□	10 \pm 20%	100KHz	49.00	1.84
ETPRH0704-150□	15 \pm 20%	100KHz	81.00	1.47
ETPRH0704-330□	33 \pm 20%	1KHz	170.00	0.96
ETPRH0704-470□	47 \pm 20%	1KHz	260.00	0.88
ETPRH0704-680□	68 \pm 20%	1KHz	380.00	0.69
ETPRH0704-101□	100 \pm 20%	1KHz	610.00	0.60
ETPRH0704-121□	120 \pm 20%	1KHz	660.00	0.52
ETPRH0704-331□	330 \pm 20%	1KHz	1860.00	0.32
ETPRH0704-681□	680 \pm 20%	1KHz	4630.00	0.22
ETPRH0704-821□	820 \pm 20%	1KHz	5200.00	0.20
1204 系列				
ETPRH1204-1R8□	1.8 \pm 20%	7.96MHz	10.50	9.00
ETPRH1204-2R2□	2.2 \pm 20%	7.96MHz	11.50	8.20
ETPRH1204-2R5□	2.5 \pm 20%	7.96MHz	12.50	7.60
ETPRH1204-3R3□	3.3 \pm 20%	7.96MHz	14.00	7.00
ETPRH1204-3R9□	3.9 \pm 20%	7.96MHz	15.00	6.50
ETPRH1204-4R7□	4.7 \pm 20%	1KHz	18.00	5.70
ETPRH1204-5R6□	5.6 \pm 20%	7.96MHz	21.00	5.20
ETPRH1204-8R2□	8.2 \pm 20%	7.96MHz	26.30	4.50
ETPRH1204-100□	10 \pm 20%	100KHz	28.00	4.50
ETPRH1204-120□	12 \pm 20%	1KHz	38.00	4.00
ETPRH1204-180□	18 \pm 20%	1KHz	57.00	3.10
ETPRH1204-270□	27 \pm 20%	1KHz	80.00	2.80
ETPRH1204-390□	39 \pm 20%	1KHz	132.00	2.10
ETPRH1204-560□	56 \pm 20%	1KHz	190.00	1.80
ETPRH1204-820□	82 \pm 20%	1KHz	260.00	1.30
ETPRH1204-151□	150 \pm 20%	1KHz	530.00	0.95
ETPRH1204-181□	180 \pm 20%	1KHz	620.00	0.85
ETPRH1204-271□	270 \pm 20%	1KHz	876.00	0.60
1205 系列				
ETPRH1205-1R5□	1.5 \pm 20%	100KHz	8.48	7.00
ETPRH1205-2R2□	2.2 \pm 20%	1KHz	14.00	7.00
ETPRH1205-8R2□	8.2 \pm 20%	1KHz	22.63	6.00
ETPRH1205-100□	10 \pm 20%	1KHz	25.00	4.00
ETPRH1205-150□	15 \pm 20%	1KHz	30.00	3.30

NOTE : □Tolerance value : K= \pm 10% , M= \pm 20% , N= \pm 30%

**Electrical Characteristics**

Part Number	Inductance (μH)	L Test Frequency	DCR (mΩ) MAX.	IDC (A) MAX.
ETPRH1205-330□	33 \pm 20%	1KHz	57.00	2.10
ETPRH1205-470□	47 \pm 20%	1KHz	75.00	1.80
ETPRH1205-680□	68 \pm 20%	1KHz	120.00	1.50
ETPRH1205-820□	82 \pm 20%	1KHz	140.00	1.40
ETPRH1205-121□	120 \pm 20%	1KHz	170.00	1.10
ETPRH1205-221□	220 \pm 20%	1KHz	400.00	0.80
ETPRH1205-271□	270 \pm 20%	1KHz	460.00	0.75
ETPRH1205-331□	330 \pm 20%	1KHz	510.00	0.68
ETPRH1205-681□	680 \pm 20%	1KHz	1200.00	0.48
ETPRH1205-102□	1000 \pm 20%	1KHz	1530.00	0.40

1207 系列

ETPRH1207-1R0□	1.0 \pm 20%	100KHz	6.00	14.00
ETPRH1207-2R4□	2.4 \pm 20%	100KHz	10.00	10.30
ETPRH1207-3R5□	3.5 \pm 20%	100KHz	12.00	11.00
ETPRH1207-4R6□	4.6 \pm 20%	100KHz	14.00	9.10
ETPRH1207-5R8□	5.8 \pm 20%	100KHz	16.00	9.60
ETPRH1207-7R4□	7.4 \pm 20%	100KHz	18.00	7.40
ETPRH1207-100□	10 \pm 20%	1KHz	19.00	6.70
ETPRH1207-120□	12 \pm 20%	1KHz	21.30	6.45
ETPRH1207-150□	15 \pm 20%	1KHz	26.40	5.65
ETPRH1207-180□	18 \pm 20%	1KHz	28.00	5.10
ETPRH1207-220□	22 \pm 20%	1KHz	36.40	4.70
ETPRH1207-270□	27 \pm 20%	1KHz	41.60	4.20
ETPRH1207-330□	33 \pm 20%	1KHz	53.30	3.90
ETPRH1207-470□	47 \pm 20%	1KHz	78.00	2.90
ETPRH1207-560□	56 \pm 20%	1KHz	90.00	4.20
ETPRH1207-680□	68 \pm 20%	1KHz	120.00	2.60
ETPRH1207-820□	82 \pm 20%	1KHz	119.00	2.40
ETPRH1207-101□	100 \pm 20%	1KHz	151.00	2.10
ETPRH1207-151□	150 \pm 20%	1KHz	227.00	1.80
ETPRH1207-221□	220 \pm 20%	1KHz	338.00	1.45
ETPRH1207-271□	270 \pm 20%	1KHz	419.00	1.30
ETPRH1207-331□	330 \pm 20%	1KHz	471.00	1.20
ETPRH1207-471□	470 \pm 20%	1KHz	471.00	1.00
ETPRH1207-561□	560 \pm 20%	1KHz	852.00	0.95

NOTE : □Tolerance value : K= \pm 10% , M= \pm 20% , N= \pm 30%



Electrical Characteristics

Part Number	Inductance (μH)	L Test Frequency	DCR (mΩ) MAX.	IDC (A) MAX.
ETPRH1207-821□	820 ± 20%	1KHz	1130.00	0.85
ETPRH1207-102□	1000 ± 20%	1KHz	1500.00	0.70
ETPRH1207-152□	1500 ± 20%	1KHz	2374.00	0.50
ETPRH1207-202□	2000 ± 20%	252KHz	3020.00	0.50

NOTE : □Tolerance value : K=±10% , M=±20% , N=±30%