

**10/100 BASE-T TRANSFORMER MODULES**

Designed To Meet IEEE 802.3 & ANSI X3.263 Standards.

Lead-Free & Designed To Meet RoHs Requirement.

10/100 Base-T Through-Hole Type

Operating Temperature range:0°C to+70°C

**PART NUMBER SYSTEM**

ET	B	16	02	F	T
①	②	③	④	⑤	⑥

① Engya Lan Transformer

② 10/100 Base

③ 16Pin

④ Internal code

⑤ Lead Free

⑥ Special

ENGYA P/N	Size(m/m)			
	Pin	L	W	H
ETB1602F□	16	12.7	6.80	6.00 Max
ETB2001F□(DIP)	20	25.4	10.16	8.50Max
ETB4001F□	40	28.1	12.20	6.40Max
ETB5001F□	50	27.75	10.70	8.65Max

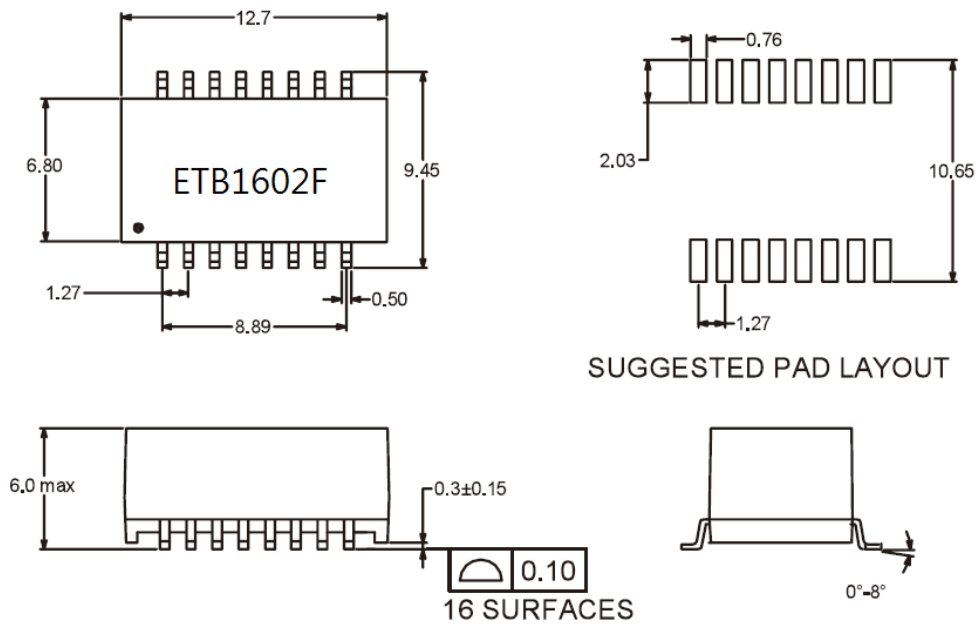


ELECTRICAL SPECIFICATIONS@25°C

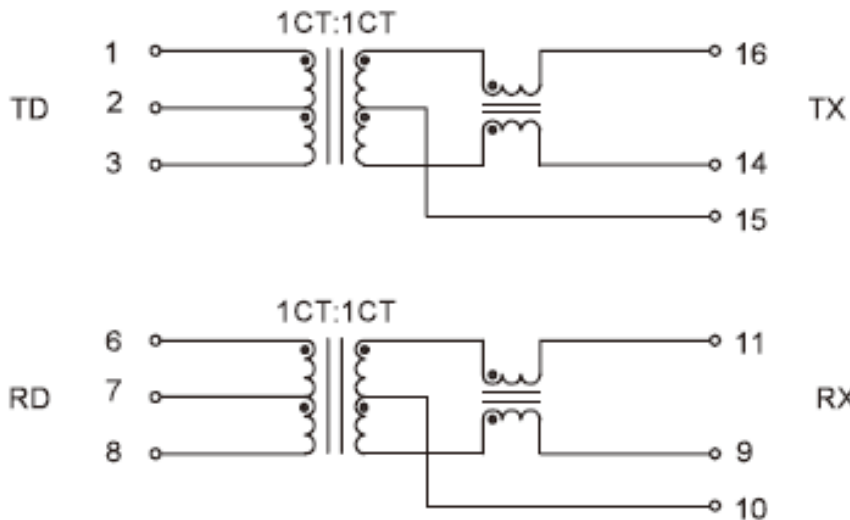
P/N:ETB1602F

Part Number	OCL(uH Min) @100KHz,0.1V	Turns Ratio (±5%)	Insertion Loss (dB Max)	Return Loss (dB Min)			Cross Talk (dB Min)		CMRR (dB Min)	Hi-Pot (Vrms)	
				0.5-100MHz	0.5-30MHz.	30.1-60MHz	60.1-80MHz	0.5-40MHz			40.1-100MHz
				0.5-100MHz	0.5-30MHz.	30.1-60MHz	60.1-80MHz	0.5-40MHz			40.1-100MHz
ETB1602F□	350	1CT:1CT	-1.1	-18	-18+20*log(f/30)	-12	-35	-33+20*log(f/50)	-30	1500	

MECHANICAL SPECIFICATIONS



SCHEMATICS



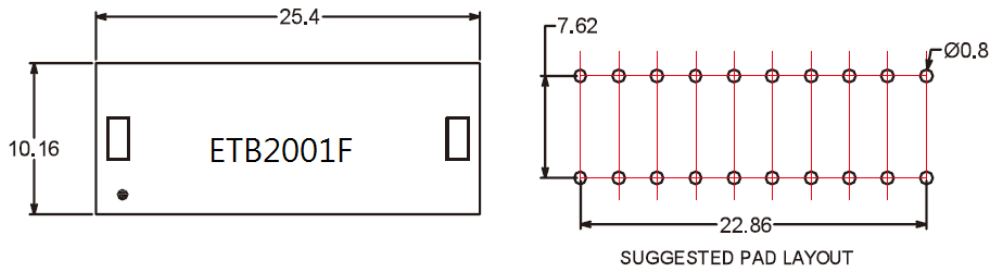


ELECTRICAL SPECIFICATIONS@25°C

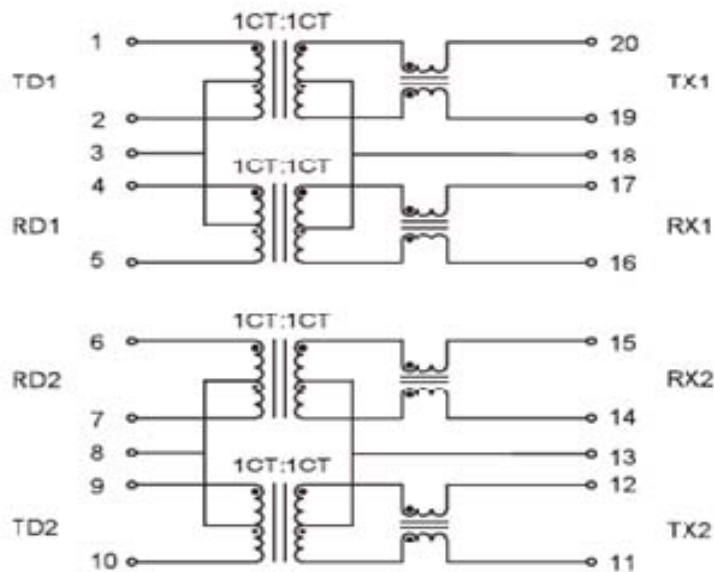
P/N:ETB2001F

Part Number	OCL(uH Min) @100KHz,0.1V	Turns Ratio (±5%)	Insertion Loss (dB Max)	Return Loss			Cross Talk		CMRR (dB Min)	Hi-Pot (Vrms)
				(dB Min)			(dB Min)			
				0.5-100MHz	0.5-30MHz.	30.1-60MHz	60.1-80MHz	0.5-40MHz		
ETB2001F□	350	1CT:1CT	-1.1	-18	-18+20*log(f/30)	-12	-35	-33+20*log(f/50)	-30	1500

MECHANICAL SPECIFICATIONS



SCHEMATICS



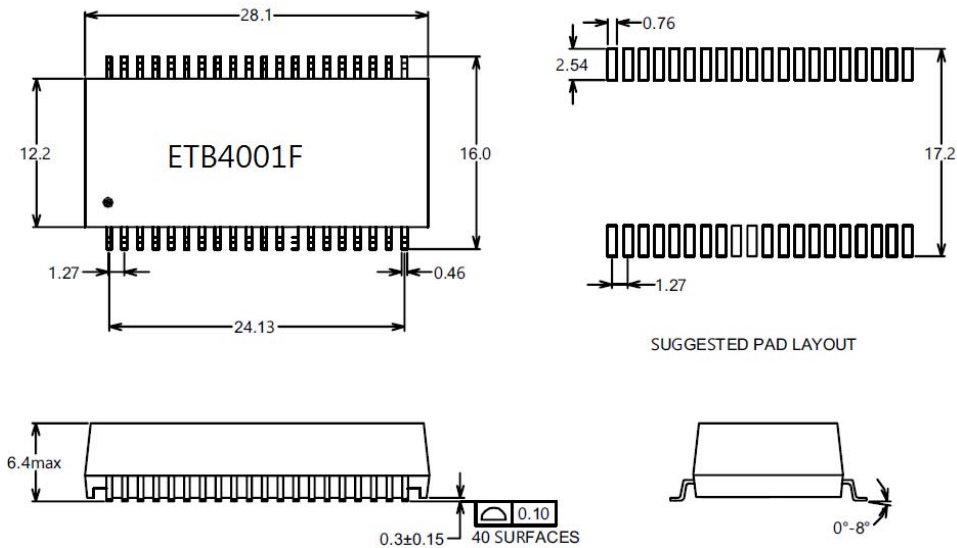


ELECTRICAL SPECIFICATIONS@25°C

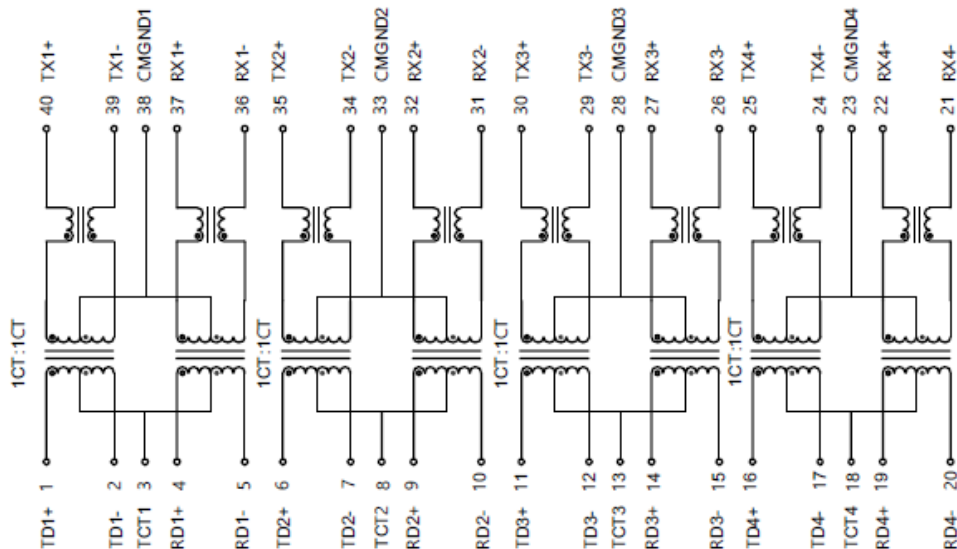
P/N:ETB4001F

Part Number	OCL(uH Min)	Turns Ratio	Insertion Loss	Return Loss			Cross Talk		CMRR	Hi-Pot
	@100KHz,0.1V	(±5%)	(dB Max)	(dB Min)			(dB Min)		(dB Min)	(Vrms)
			0.5-100MHz	0.5-30MHz	30.1-60MHz	60.1-80MHz	0.5-40MHz	40.1-100MHz	0.5-100MHz	
ETB4001F□	350	1CT:1CT	-1.1	-18	-18+20*log(f/30)	-12	-35	-33+20*log(f/50)	-30	1500

MECHANICAL SPECIFICATIONS



SCHEMATICS



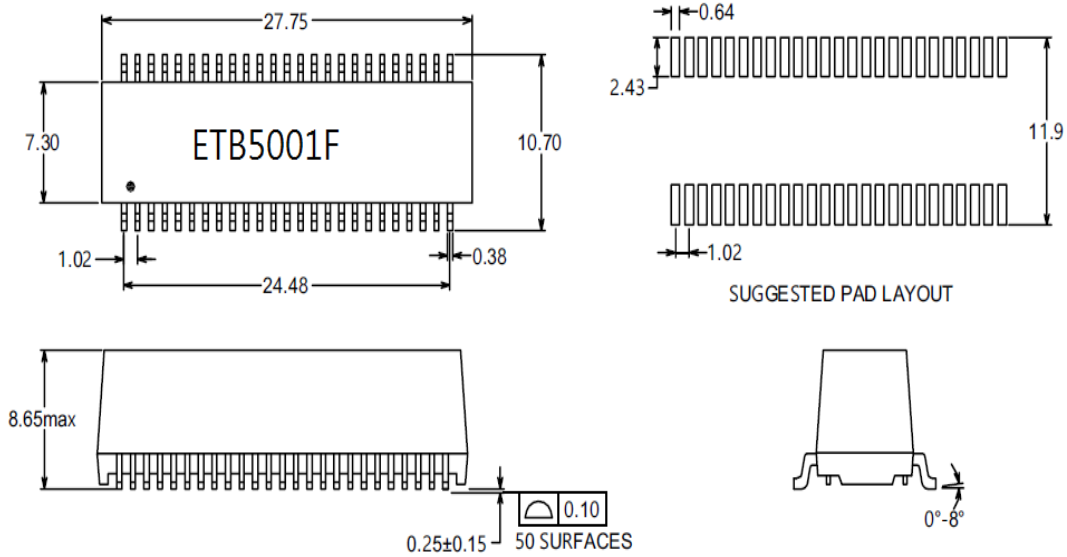


ELECTRICAL SPECIFICATIONS@25°C

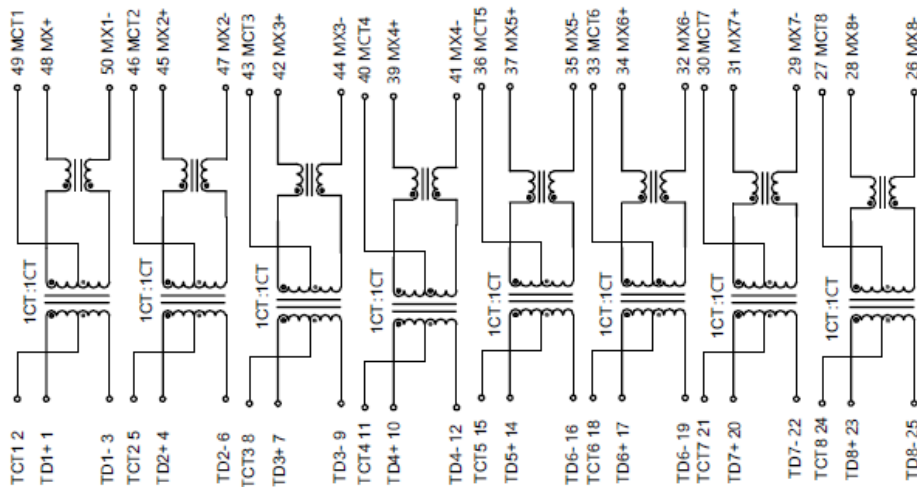
P/N:ETB5001F

Part Number	OCL(uH Min)	Turns Ratio	Insertion Loss	Return Loss		Cross Talk		CMRR	Hi-Pot
	With 8mA DC Bias	(±3%)	(dB Max)	(dB Min)		(dB Min)		(dB Min)	(Vrms)
	@100KHz,0.1V		0.5-100MHz	0.5-40MHz	40.1-100MHz	0.5-40MHz	40.1-100MHz	0.5-100MHz	
ETB5001F□	350	1CT:1CT	-1.1	-18	-12+20*log(f/80)	-35	-33+20*log(f/50)	-30	1500

MECHANICAL SPECIFICATIONS



SCHEMATICS



REV:PRELIMINARY