

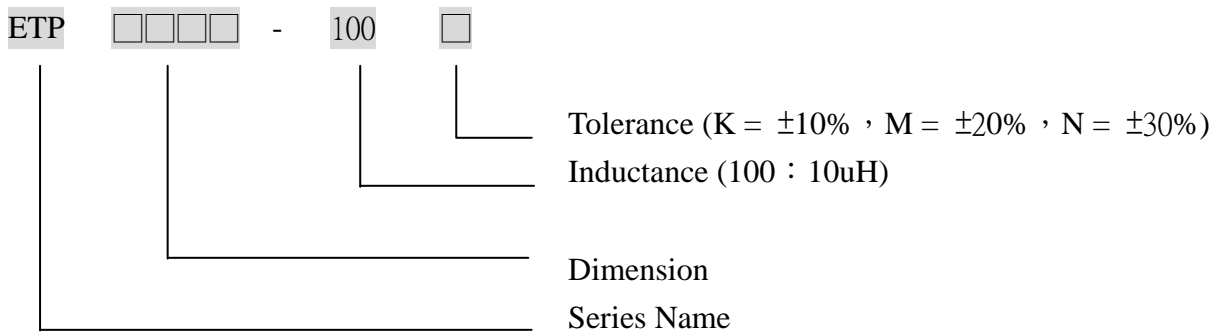


FEATURES

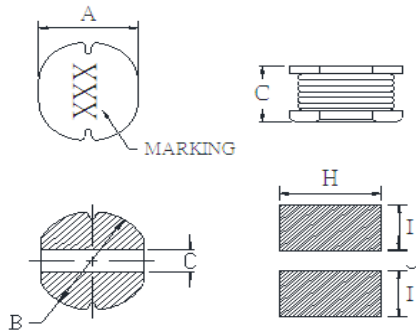
- High current capacity.
- Ferrite bobbin core and compact size.
- Low core loss for high frequency
- Power application.
- Large terminal surface for good PCB bonding.



PART NUMBER SYSTEM



SHAPES AND DIMENSION (mm)



TYPE	A	B	C(Max)	d1(Ref)	d2(Ref)	E(Ref)	F(Ref)
ETP0302	3.50 ±0.30	3.00±0.30	2.40	1.4	1.2	3.6	3.5
ETP0403	4.50±0.30	4.00±0.30	3.50	1.6	1.5	4.7	4.2
ETP0504	5.80±0.30	5.20±0.30	4.85	2.0	1.5	6.0	5.5
ETP0705	7.80±0.30	7.00±0.30	4.00	2.0	2.0	8.0	7.5

**Electrical Characteristics**

Part Number	Inductance (μH)	L Test Frequency	DCR (Ω)MAX.	IDC (A) MAX.
0302 系列				
ETP0302-R10□	0.10 \pm 20%	5MHz	0.021	3.00
ETP0302-R82□	0.82 \pm 20%	5MHz	0.049	2.80
ETP0302-1R0□	1.00 \pm 20%	5MHz	0.075	2.10
ETP0302-1R5□	1.50 \pm 20%	5MHz	0.078	2.08
ETP0302-2R2□	2.20 \pm 20%	5MHz	0.085	2.00
ETP0302-3R3□	3.30 \pm 20%	5MHz	0.131	1.50
ETP0302-4R7□	4.70 \pm 20%	5MHz	0.158	1.30
ETP0302-5R6□	5.60 \pm 20%	5MHz	0.165	1.20
ETP0302-6R8□	6.80 \pm 20%	5MHz	0.188	1.10
ETP0302-100□	10.00 \pm 20%	2.52MHz	0.341	1.00
ETP0302-150□	15.00 \pm 20%	2.52MHz	0.460	0.90
ETP0302-220□	22.00 \pm 20%	2.52MHz	0.685	0.75
ETP0302-270□	27.00 \pm 20%	2.52MHz	0.912	0.70
ETP0302-330□	33.00 \pm 20%	2.52MHz	0.951	0.60
ETP0302-470□	47.00 \pm 20%	2.52MHz	1.582	0.450
ETP0302-680□	68.00 \pm 20%	2.52MHz	2.033	0.300
ETP0302-820□	82.00 \pm 20%	2.52MHz	2.319	0.200
ETP0302-101□	100.00 \pm 20%	1KHz	2.558	0.100
ETP0302-121□	120.00 \pm 20%	1KHz	2.600	0.090
ETP0302-151□	150.00 \pm 20%	1KHz	4.303	0.080
ETP0302-221□	220.00 \pm 20%	1KHz	6.669	0.070
ETP0302-301□	300.00 \pm 20%	1KHz	8.000	0.060
ETP0302-331□	330.00 \pm 20%	1KHz	8.684	0.054
ETP0302-391□	390.00 \pm 20%	1KHz	10.500	0.048
ETP0302-471□	470.00 \pm 20%	1KHz	13.091	0.041
0403 系列				
ETP0403-R50□	0.50 \pm 20%	5MHz	0.022	3.00
ETP0403-R60□	0.60 \pm 20%	5MHz	0.040	2.80
ETP0403-1R0□	1.00 \pm 20%	5MHz	0.049	2.56
ETP0403-1R2□	1.20 \pm 20%	5MHz	0.055	2.54
ETP0403-1R4□	1.40 \pm 20%	5MHz	0.057	2.52
ETP0403-1R8□	1.80 \pm 20%	5MHz	0.064	1.95
ETP0403-2R2□	2.20 \pm 20%	5MHz	0.072	1.75
ETP0403-2R4□	2.40 \pm 20%	5MHz	0.076	1.65
ETP0403-2R7□	2.70 \pm 20%	5MHz	0.079	1.58

NOTE : □ Tolerance value : K= \pm 10% , M= \pm 20% , N= \pm 30%

**Electrical Characteristics**

Part Number	Inductance (μH)	L Test Frequency	DCR (Ω)MAX.	IDC (A) MAX.
ETP0403-3R3□	3.30 \pm 20%	5MHz	0.087	1.44
ETP0403-3R9□	3.90 \pm 20%	5MHz	0.094	1.33
ETP0403-4R1□	4.10 \pm 20%	5MHz	0.100	1.20
ETP0403-4R7□	4.70 \pm 20%	5MHz	0.109	1.15
ETP0403-5R2□	5.20 \pm 20%	5MHz	0.118	1.05
ETP0403-5R6□	5.60 \pm 20%	5MHz	0.126	0.99
ETP0403-6R8□	6.80 \pm 20%	5MHz	0.132	0.95
ETP0403-8R2□	8.20 \pm 20%	5MHz	0.147	0.84
ETP0403-100□	10.00 \pm 20%	2.52MHz	0.182	0.80
ETP0403-120□	12.00 \pm 20%	2.52MHz	0.210	0.78
ETP0403-150□	15.00 \pm 20%	2.52MHz	0.235	0.76
ETP0403-180□	18.00 \pm 20%	2.52MHz	0.280	0.74
ETP0403-200□	20.00 \pm 20%	2.52MHz	0.312	0.70
ETP0403-220□	22.00 \pm 20%	2.52MHz	0.378	0.68
ETP0403-270□	27.00 \pm 20%	2.52MHz	0.522	0.62
ETP0403-330□	33.00 \pm 20%	2.52MHz	0.540	0.56
ETP0403-390□	39.00 \pm 20%	2.52MHz	0.587	0.52
ETP0403-470□	47.00 \pm 20%	2.52MHz	0.844	0.44
ETP0403-560□	56.00 \pm 20%	2.52MHz	0.937	0.42
ETP0403-680□	68.00 \pm 20%	2.52MHz	1.117	0.37
ETP0403-820□	82.00 \pm 20%	2.52MHz	1.170	0.35
ETP0403-101□	100.00 \pm 20%	1KHz	1.200	0.32
ETP0403-151□	150.00 \pm 20%	1KHz	1.560	0.25
ETP0403-181□	180.00 \pm 20%	1KHz	2.200	0.23
ETP0403-221□	220.00 \pm 20%	1KHz	2.500	0.20
ETP0403-251□	250.00 \pm 20%	1KHz	2.650	0.19
ETP0403-331□	330.00 \pm 20%	1KHz	4.050	0.18
ETP0403-471□	470.00 \pm 20%	1KHz	5.780	0.17
ETP0403-561□	560.00 \pm 20%	1KHz	7.100	0.16
ETP0403-681□	680.00 \pm 20%	1KHz	8.030	0.15
0504 系列				
ETP0504-1R0□	1.00 \pm 20%	5MHz	0.025	5.50
ETP0504-1R5□	1.50 \pm 20%	5MHz	0.030	5.00
ETP0504-2R2□	2.20 \pm 20%	5MHz	0.032	3.80

NOTE : □Tolerance value : K= \pm 10% , M= \pm 20% , N= \pm 30%

**Electrical Characteristics**

Part Number	Inductance (μH)	L Test Frequency	DCR (Ω)MAX.	IDC (A) MAX.
ETP0504-2R4□	2.40 \pm 20%	5MHz	0.035	3.60
ETP0504-2R7□	2.70 \pm 20%	5MHz	0.040	3.50
ETP0504-3R3□	3.30 \pm 20%	5MHz	0.045	3.20
ETP0504-4R7□	4.70 \pm 20%	5MHz	0.054	2.50
ETP0504-5R2□	5.20 \pm 20%	5MHz	0.055	2.40
ETP0504-5R6□	5.60 \pm 20%	5MHz	0.060	2.20
ETP0504-6R8□	6.80 \pm 20%	5MHz	0.070	2.00
ETP0504-100□	10.00 \pm 20%	2.52MHz	0.100	1.44
ETP0504-120□	12.00 \pm 20%	2.52MHz	0.120	1.40
ETP0504-150□	15.00 \pm 20%	2.52MHz	0.140	1.30
ETP0504-180□	18.00 \pm 20%	2.52MHz	0.150	1.23
ETP0504-220□	22.00 \pm 20%	2.52MHz	0.180	1.11
ETP0504-270□	27.00 \pm 20%	2.52MHz	0.200	0.97
ETP0504-300□	30.00 \pm 20%	2.52MHz	0.220	0.92
ETP0504-330□	33.00 \pm 20%	2.52MHz	0.230	0.88
ETP0504-390□	39.00 \pm 20%	2.52MHz	0.320	0.80
ETP0504-470□	47.00 \pm 20%	2.52MHz	0.370	0.72
ETP0504-560□	56.00 \pm 20%	2.52MHz	0.420	0.68
ETP0504-680□	68.00 \pm 20%	2.52MHz	0.460	0.61
ETP0504-820□	82.00 \pm 20%	2.52MHz	0.600	0.58
ETP0504-101□	100.00 \pm 20%	1KHz	0.700	0.52
ETP0504-121□	120.00 \pm 20%	1KHz	0.930	0.48
ETP0504-151□	150.00 \pm 20%	1KHz	1.100	0.40
ETP0504-181□	180.00 \pm 20%	1KHz	1.380	0.38

0705 系列

ETP0705-R47□	0.47 \pm 20%	5MHz	0.005	8.00
ETP0705-1R0□	1.00 \pm 20%	5MHz	0.012	7.00
ETP0705-1R2□	1.20 \pm 20%	5MHz	0.0156	6.00
ETP0705-1R5□	1.50 \pm 20%	5MHz	0.018	5.00
ETP0705-2R0□	2.00 \pm 20%	5MHz	0.019	4.80
ETP0705-2R2□	2.20 \pm 20%	5MHz	0.020	4.50
ETP0705-2R7□	2.70 \pm 20%	5MHz	0.022	4.20
ETP0705-3R3□	3.30 \pm 20%	5MHz	0.023	4.00
ETP0705-4R7□	4.70 \pm 20%	5MHz	0.025	3.50

NOTE : □Tolerance value : K= \pm 10% , M= \pm 20% , N= \pm 30%

**Electrical Characteristics**

Part Number	Inductance (μH)	L Test Frequency	DCR (Ω)MAX.	IDC (A) MAX.
ETP0705-5R6□	5.60 \pm 20%	5MHz	0.034	3.30
ETP0705-6R8□	6.80 \pm 20%	5MHz	0.042	3.20
ETP0705-8R2□	8.20 \pm 20%	5MHz	0.050	3.00
ETP0705-100□	10.00 \pm 20%	2.52MHz	0.070	2.30
ETP0705-120□	12.00 \pm 20%	2.52MHz	0.080	2.00
ETP0705-150□	15.00 \pm 20%	2.52MHz	0.090	1.80
ETP0705-180□	18.00 \pm 20%	2.52MHz	0.100	1.60
ETP0705-200□	20.00 \pm 20%	2.52MHz	0.110	2.00
ETP0705-220□	22.00 \pm 20%	2.52MHz	0.110	1.50
ETP0705-270□	27.00 \pm 20%	2.52MHz	0.120	1.30
ETP0705-330□	33.00 \pm 20%	2.52MHz	0.130	1.20
ETP0705-390□	39.00 \pm 20%	2.52MHz	0.160	1.10
ETP0705-470□	47.00 \pm 20%	2.52MHz	0.180	1.10
ETP0705-560□	56.00 \pm 20%	2.52MHz	0.240	0.94
ETP0705-680□	68.00 \pm 20%	2.52MHz	0.280	0.85
ETP0705-820□	82.00 \pm 20%	2.52MHz	0.370	0.78
ETP0705-101□	100.00 \pm 20%	1KHz	0.430	0.72
ETP0705-121□	120.00 \pm 20%	1KHz	0.470	0.66
ETP0705-151□	150.00 \pm 20%	1KHz	0.640	0.58
ETP0705-181□	180.00 \pm 20%	1KHz	0.710	0.51
ETP0705-201□	200.00 \pm 20%	1KHz	0.800	0.50
ETP0705-221□	220.00 \pm 20%	1KHz	0.960	0.49
ETP0705-271□	270.00 \pm 20%	1KHz	1.110	0.42
ETP0705-331□	330.00 \pm 20%	1KHz	1.260	0.40
ETP0705-391□	390.00 \pm 20%	1KHz	1.770	0.36
ETP0705-471□	470.00 \pm 20%	1KHz	1.960	0.34
ETP0705-501□	500.00 \pm 20%	1KHz	1.950	0.50
ETP0705-511□	510.00 \pm 20%	1KHz	1.900	0.40
ETP0705-561□	560.00 \pm 20%	1KHz	1.970	0.30
ETP0705-681□	680.00 \pm 20%	1KHz	2.600	0.28
ETP0705-152□	1500.00 \pm 20%	1KHz	4.380	0.20

NOTE : □Tolerance value : K= \pm 10% , M= \pm 20% , N= \pm 30%